



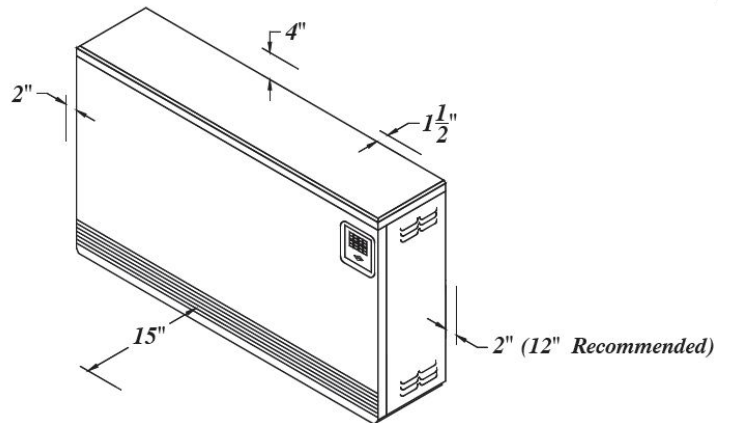
Technical Data Sheet

2100 Room Heating Units

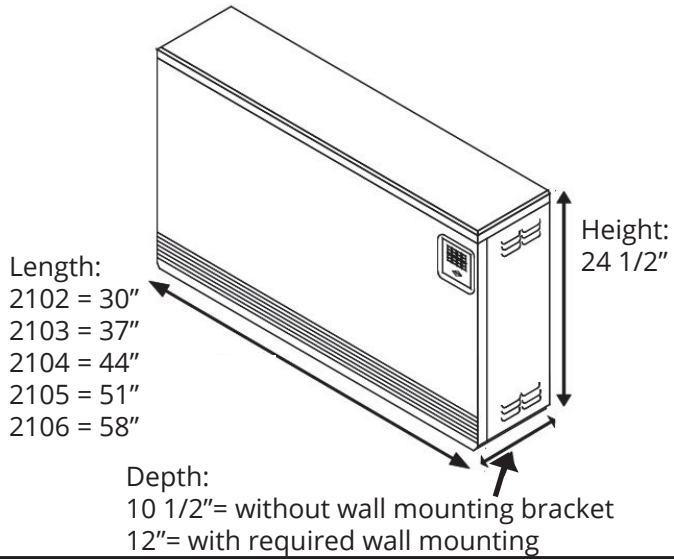
5-Year Limited Manufacturer's Warranty

Placement and Clearances

- All heater surfaces must be kept 4" minimum from combustible material.
- A minimum of 12" clearance is recommended on the right side of heater to ensure accurate room temperature sensing and for servicing purposes. If less than 12" is available, an optional remote room temperature sensor is recommended.
- Heater may be recessed into a wall but do not enclose or obstruct access to heaters front panel and grill.
- Weight of heater must be considered when selecting placement location. Refer to specification chart for heater weights.
- Generally, the heater can be placed on any standard flooring. Depending on temperature threshold of floor covering or carpet thickness, it may be necessary to elevate heater off the floor.
- Room heating units are not recommended for applications where petroleum or chemical based contaminants such as paints, varnishes or other combustibles are present in the air. Odors such as these may be amplified. Special requirements must be considered if placing heater in a garage or other area where combustible vapors may be present.
- Avoid installing heater near an open stairwell or near external sources of heat or cold.
- Consult national, state and local building code requirements for electrical appliance to ensure proper installation.



Unit Dimensions



Field Connection and Circuit Breaker Sizing Reference Chart



This chart reflects only the code interpretation of Steffes. It is the responsibility of the installer to comply with all applicable codes

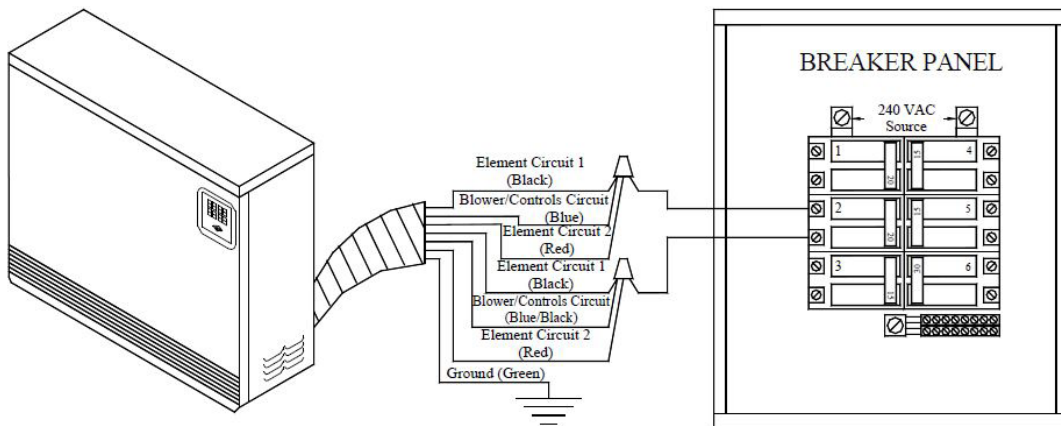
Wire Size	240 VAC	277 VAC	208 VAC	Maximum Circuit Breaker Size
#14 AWG	2.8	3.3	2.4	15
#12 AWG	3.8	4.4	3.3	20
#10 AWG	5.7	6.6	4.9	30
#8 AWG	7.6	8.8	6.6	40
#6 AWG	11.5	13.2	9.9	60

Use copper wire rates at 75 C minimum only.

Line Voltage Connections

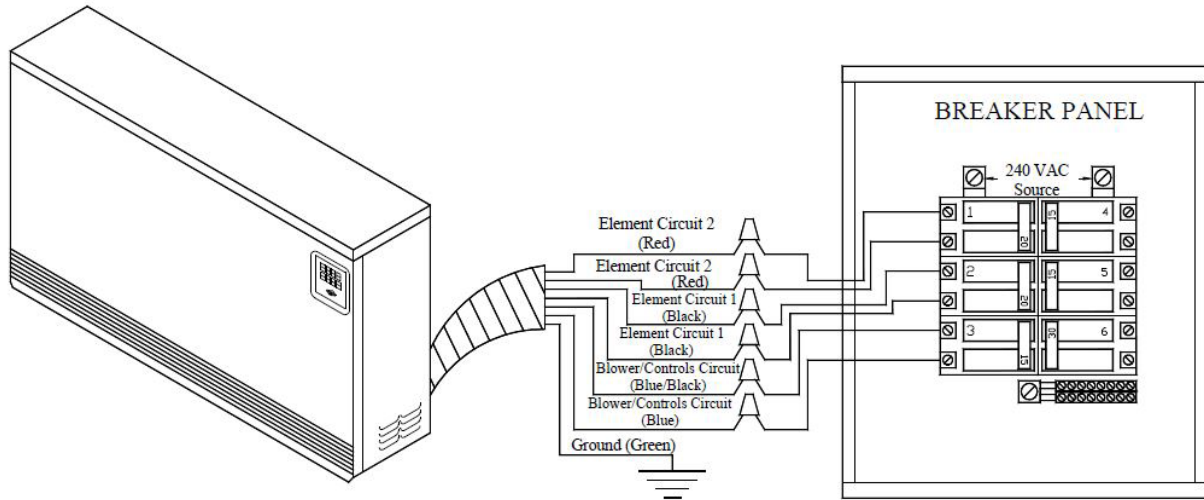
All 2100 series room heating units are factory configured for single or two circuit element feed connections. The fan/controls circuit can be powered from the element circuit or from a separate feed. (The heater must be wired in compliance with all applicable codes and regulations.)

Single Feed Connection



NOTE: Connections shown are for systems with a 240V/280V blower/controls circuit.

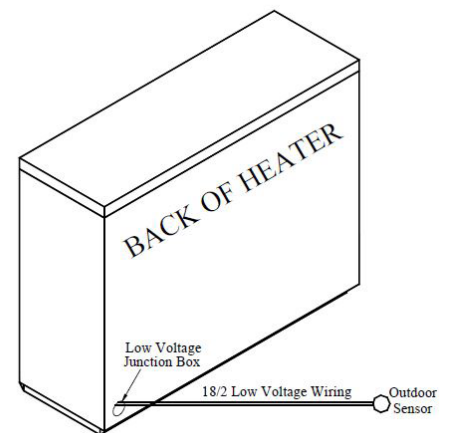
Multiple Feed Connection



NOTE: Connections shown are for systems with a 240V/280V blower/controls circuit.

Automatic Charge Control

- An outdoor sensor is an optional device used to provide outdoor temperatures for automatic charge control (regulation of stored heat).
- One sensor per heater is required and connected to the heater via low voltage wiring.
- If using the optional Steffes Power Line Carrier Transmitter for peak control, the outdoor sensor is not needed as the transmitter will also communicate outdoor temperature information to the heater(s) for automatic charge regulation.



Peak Control Options

- **Low Voltage Control (See Diagram)**

- **Power Line Carrier (PLC) Control**

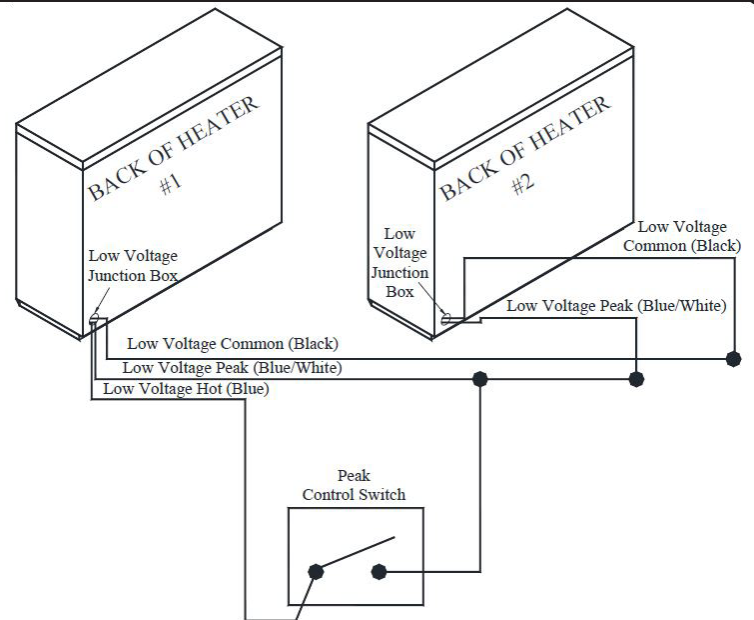
- Recommended for multiple heater installations
- Requires the Steffes PLC transceiver be installed in the application to interface with each heaters built-in receiving system.
- Refer to the Transceiver's Owner's and Installer's manual for more information on the operation and installation of the PLC control system.

- **Time Clock Control**

- Requires the Steffes time clock module be installed in each heater to enable the heater's built-in time clock feature.
- Refer to the time clock module's instruction sheet for information on the operation and installation of this device.

- **Line Voltage Control**

- Requires an external switching device such as a relay panel to directly control the element circuits.
- Blower/controls circuit must be powered with an uninterrupted circuit.



Specifications (For Standard 240VAC Systems)

Model	2102 (Plug-in)	2102			2103			2104			2105			2106		
Charging Inputs (kW) -See Note 1	1.32	2.4	3.0	3.6	3.6	4.5	5.4	4.8	6.0	7.2	6.0	7.5	9.0	7.2	9.0	10.8
Approximate In- stalled Weight (lbs)	281	267			376			478			585			692		
Storage Capacity -See Note 1																
kWh		13.5			20.25			27			33.75			40		
BTU		46,063			69,093			92,124			115,155			136,480		
Element Voltage -See Note 2	120	240 (Standard)														
Blower/Controls Voltage -See Note 3	120	240 (Standard)														
Blower Wattage- See Note 4																
Minimum		30														
Maximum		120														

Note 1: The heating ability of each system is dependent upon the power company's available off-peak hours. Please contact Steffes for assistance in selecting the appropriate size and kW input of system required to satisfy a specific heat loss.

Note 2: 208 and 277 charging input voltage are also available as a special factory order. Standard 240V units can be connected to 208V; however, the heater will operate at 75% of its 240V rated input wattage.

Note 3: 240V is standard blower/controls voltage. 120 and 208 blower/controls voltage are also available as a special factory order.

Note 4: The blowers are variable speed.